

# **Thermodynamics of a Superconducting Energy Converter**

**Author: Marvin Chester**

**Citation: Journal of Applied Physics, Vol. 33, No. 2, pages 643-647**

**Copyright Notice: Copyright © 1962 by The American Institute of Physics**

**Republication Permission: Figures 1 and 2 are republished at Keefengine.com with permission of The American Institute of Physics (<http://ojps.aip.org/japo>) and the author.**

Note: While republication permission was only granted for Figures 1 and 2, they provide a readily accessible summarization of the important results of the paper.

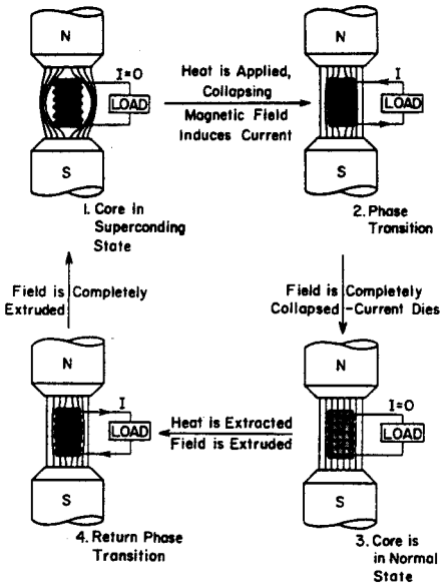


FIG. 1. Superconducting energy converter.

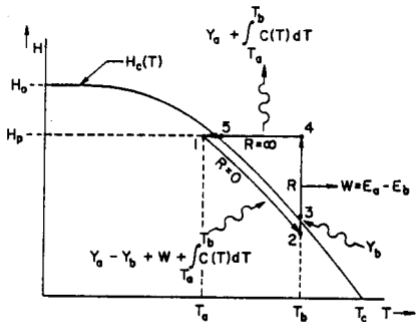


FIG. 2. Idealized cycle for a superconducting phase transition energy converter.